

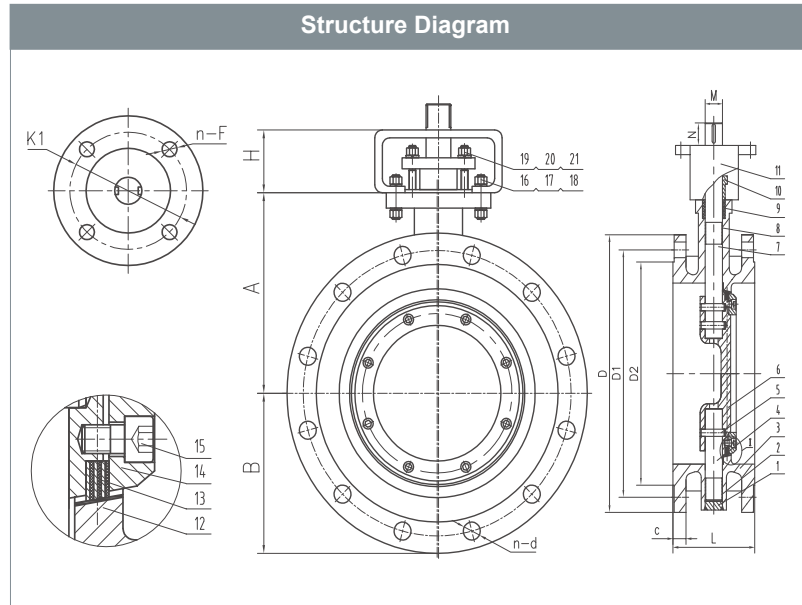
### Triple Eccentric Butterfly Valves Metal Seal, Flanged

300PSI / Class150  
 Design to ASME B16.34/API609  
 Dimensions to ASME B16.5/B16.1/EN1092  
 Pressure Test to API598/ISO5208  
 Temperature Range: -50°C~650°C/-58°F~1200°F



HP5003-1

Materials List		
1	Lower End Cap	ASTM A105
2	Lower Shaft Sleeve	ASTM A276 304
3	Body	ASTM A216 WCB ASTM A351 CF8/CF8M
4	Lower Stem	ASTM A276 431 ASTM A564 630-17-4PH
5	Cylindrical Pin	ASTM A182 F304
6	Disc	ASTM A216 WCB ASTM A351 CF8/CF8M
7	Upper Stem	ASTM A276 431 ASTM A564 630-17-4PH
8	Upper Shaft Sleeve	ASTM A276 304
9	Packing	Graphite
10	Packing Gland	ASTM A216 WCB
11	Support	Carbon Steel
12	Seat	SS316, Stellite, Inconel
13	Seal Ring	SS316 + Graphite
14	Press Plate	ASTM A105 ASTM A182 F316
15	Hexagon Socket Head Bolt	ASTM A193 B7
16	Support Bolt	ASTM A193 B7
17	Spring Washer	ASTM A29 1566
18	Nut	ASTM A194 2H
19	Gland Bolt	ASTM A193 B7
20	Spring Washer	ASTM A29 1566
21	Nut	ASTM A194 2H



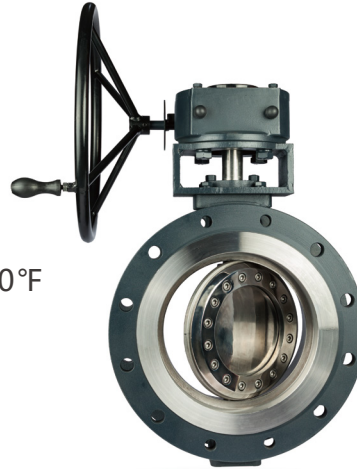
\* For other materials and special requirements, consult factory or local offices.

Dimensions(150LB)													
In	L	D	D1	D2	C	n-d	H	A	B	M	N	K1	n-F
3	114	190	152.4	127	24.3	4-18	65	150	95	16	35	70	4-10
4	127	230	190.5	157.2	24.3	8-18	65	156	102	20	35	70	4-10
5	140	255	215.9	185.7	24.3	8-22	65	178	117	22	35	70	4-10
6	140	280	241.3	215.9	25.9	8-22	65	190	134	26	45	102	4-12
8	152	345	298.5	269.9	29	8-22	90	220	170	32	55	125	4-14
10	165	405	360	323.8	30.6	12-26	90	258	207	36	60	125	4-14
12	178	485	431.8	381	32.2	12-26	90	290	230	38	65	140	4-18
14	190	535	476.3	412.8	35.4	12-30	120	330	270	46	70	140	4-18
16	216	595	539.8	469.9	37	16-30	120	378	340	52	80	165	4-22
18	222	635	577.9	533.4	40.1	16-33	120	390	355	58	90	200	8-18
20	229	700	635	584.2	43.3	20-33	120	410	370	68	100	254	8-18
24	267	815	749.3	692.2	48.1	20-36	150	480	430	76	120	298	8-22

\* For EN and other standards dimensions, consult factory.

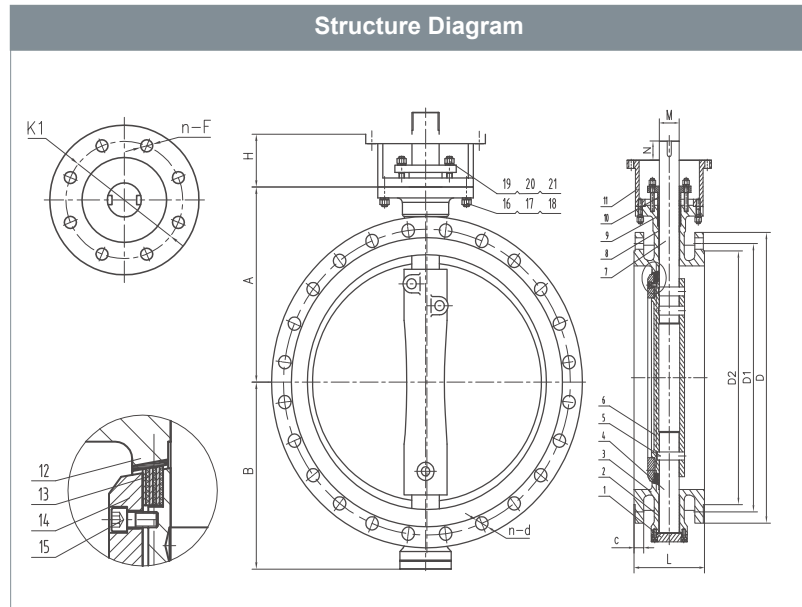
### Triple Eccentric Butterfly Valves Metal Seal, Flanged

300PSI / Class150  
 Design to ASME B16.34/API609  
 Dimensions to ASME B16.5/B16.1/EN1092  
 Pressure Test to API598/ISO5208  
 Temperature Range: -50°C~650°C/-58°F~1200°F



HP5003-1

Materials List		
1	Lower End Cap	ASTM A105
2	Lower Shaft Sleeve	ASTM A276 304
3	Body	ASTM A216 WCB ASTM A351 CF8/CF8M
4	Lower Stem	ASTM A276 431 ASTM A564 630-17-4PH
5	Cylindrical Pin	ASTM A182 F304
6	Disc	ASTM A216 WCB ASTM A351 CF8/CF8M
7	Upper Stem	ASTM A276 431 ASTM A564 630-17-4PH
8	Upper Shaft Sleeve	ASTM A276 304
9	Packing	Graphite
10	Packing Gland	ASTM A216 WCB
11	Support	Carbon Steel
12	Seat	SS316, Stellite, Inconel
13	Seal Ring	SS316 + Graphite
14	Press Plate	ASTM A105 ASTM A182 F316
15	Hexagon Socket Head Bolt	ASTM A193 B7
16	Support Bolt	ASTM A193 B7
17	Spring Washer	ASTM A29 1566
18	Nut	ASTM A194 2H
19	Gland Bolt	ASTM A193 B7
20	Spring Washer	ASTM A29 1566
21	Nut	ASTM A194 2H



\*For other materials and special requirements, consult factory or local offices.

Dimensions(150LB)													
ln	L	D	D1	D2	C	n-d	H	A	B	M	N	K1	n-F
28	292	835	795.3	762	45	40-22	150	530	490	82	130	356	8-33
32	318	940	900.1	864	46.6	48-22	150	615	555	96	140	356	8-33
36	330	1055	1009.6	972	50.9	44-30	170	675	595	106	150	356	8-33
40	410	1175	1120.8	1080	56.1	44-30	170	980	750	116	160	406	8-39
48	470	1390	1335.1	1289	65.6	44-33	200	1100	870	136	160	483	12-39
56	530	1495	1436.7	1391	70.4	52-33	200	1180	930	156	170	483	12-39

\* For EN and other standards dimensions, consult factory.